



Standard
body or organization
Standard. Standard
Standards institution
ards. For



Organisations and Standards bodies
relevant to the BSIA

INTRODUCTION

The BSIA has links with many organisations in the UK, Europe and worldwide to raise the profile of BSIA members through the lobbying for, and raising of, standards. It is important that the BSIA, through its members and/or its executive, ensures thorough engagement with organisations, committees and working groups, and promotes industry issues and values.

The groups with which the BSIA deals with are listed below. Included are the main organisations the BSIA has a day-to-day relationship with and some organisations where the relationship is more limited but their involvement in the scope of membership may be significant. From time to time the BSIA will have dealings with other organisations that are not listed below. These will be contacted depending on the circumstances.

The organisations listed are split into 3 main areas:

- Standards Bodies
- Trade Associations
- Government

STANDARDS BODIES (See Annex A)

Worldwide Standards Bodies

ISO – International Organisation for Standardisation - This is the international standards body for the production of standards (except electrotechnical and telecommunications).

IEC – International Electrotechnical Commission - This is the international standards body for electrotechnical standards. The security committee within IEC is **IEC TC/79**. **IEC TC/79** is the Technical Committee for security within IEC.

ITU – International Telecommunications Union - This is the international standards body for telecommunications.

EUROPEAN STANDARDS BODIES

CEN - Comité Européen de Normalisation - The European standards body for the development of non-electrotechnical standards.

CENELEC – Comité Européen de Normalisation Electrotechnique - The European standards body for the development of electrotechnical standards. The main committee within CENELEC which is developing electronic security standards is **TC/79**. CENELEC is often abbreviated further to CLC, especially when used in the numbering of standards and in committee references.

- CLC TC/79 is the Technical Committee for security within CENELEC. There exist a number of working groups each covering a different aspect of electronic security. These are:
 - WG1 – Intruder and Hold-up Alarm Systems (I&HAS)
 - WG2 – Detection Devices
 - WG3 – Control and Indicating Equipment and Power Supplies
 - WG4 – Social Alarms

- WG5 – Alarm Transmission Systems
- WG6 – Warning Devices
- WG7 – VSS (currently dormant – work transferred to IEC)
- WG8 – Access Control (currently dormant – work transferred to IEC)
- WG9 – Environmental Testing
- WG10 – Security Fog Devices
- WG11 – Wire-free Systems
- WG13 – Integrated Systems (currently dormant)
- WG14 – Monitoring Alarm Receiving Centres
- WG 15 Audio and video door entry apparatus
- WG 16 Emergency and danger response systems
- WG 17 Cyber Security for Connected Alarm Systems.

ETSI – **E**uropean **T**elecommunications **S**tandards **I**nstitute - The European Standards body for telecommunications standards and the radio spectrum.

There are various working groups developing standards that impact on wire free and communications systems.

UK standards body

BSI – **B**ritish **S**tandards **I**nstitute - This is the UK National Standards Body. BSIA technical staff and members are involved in many committees covering topics from Personnel, physical and electronic security. There are many areas of standardisation, particularly technology driven standards in areas such as Artificial Intelligence, Cloud services, biometrics and more. Below are three of the main security committees:

- GW/1 – Electronic Security Systems
- GW/2 – Physical security
- GW/3 – Manned Security services

GW/1 – Electronic Security Systems

This is the main electronic security systems committee within BSI. This committee is made up of representatives of organisations and the Chairs of the subcommittees. The main security subcommittees are:

- GW/1/1 – Security Equipment Manufacturers
- GW/1/2 – Intruder and Hold-up alarm Installers
- GW/1/5 – Transmission Systems
- GW/1/8 – Access Control
- GW/1/10 – CCTV
- GW/1/11 - ARC

TRADE ASSOCIATIONS AND OTHER ORGANISATIONS (See Annex B)

European Trade Associations and Other Organisations

CertAlarm –CertAlarm is an independent "not for profit" organisation set up under the European Accreditation Agency. Their certification schemes guarantee compliance to European product, system, installation and service standards. CertAlarm is the only

European accreditation endorsed certification scheme for the fire and security industry and is as a means of getting one stop testing in Europe. Its stakeholders are the industry, insurers, end-users, response authorities, test houses and certification bodies.

CoESS – Confederation of European Security Services - European Security Officer Trade Association made up of Individual Companies and Trade Associations from across Europe, focussing on European:

- Security Officer legislation and standards
- Electronic Surveillance
- Airport Security
- Critical Infrastructure
- Maritime
- Cohesion
- Social Dialogue

ESTA – European Services Transport Association - The European Cash and Valuables in Transport (CVIT) Trade Association made up of CVIT companies and supplies to the CVIT industry.

Euralarm - European electronic fire and security trade association for individual companies and national trade associations. Made up of four sections:

- Section Fire
- Section Extinguishing
- Section Services (BSIA are members of this section)
- Section Security (BSIA are members of this section)

Of the two sections BSIA participates, the key subject areas are:

- Security standards and European regulation
- Product testing and certification
- Quality and environmental management
- ARC monitoring requirements
- Installation/maintenance of alarm systems

Insurance Europe - The European Insurance and Reinsurance Federation. Through its member bodies, the national insurance associations, Insurance Europe represents all types of insurance and reinsurance undertakings.

United Kingdom Trade Associations and Other Organisations

ABI – Association of British Insurers - The ABI is the main insurance association in the UK. The ABI promote best practice, transparency and high standards within the industry. The ABI's primary role is working with government, regulators and policymakers – both in the UK and internationally. There are other insurers' organisations that look at different aspects which are:

- **BIBA** – British Insurance Brokers Association.
- **CILA** – Chartered Institute of Loss Adjusters.
- **FPA** – Fire Protection Association – The FPA is the technical arm of the ABI. The FPA is the UK's national fire safety organisation who works to identify and draw

attention to the dangers of fire and the means by which their potential for loss is kept to a minimum. The FPA also includes:

- **RISC Authority - Risk Insight, Strategy and Control Authority** - is a research scheme supported by a significant group of UK insurers that conducts research in support of the development and dissemination of best practice on the protection of property and business. The RISC Authority has two subsections:
 - RISC Authority Fire
 - RISC Authority Security

NOTE: RISC Authority should not be confused with RISC, the UK Security and Resilience Industry Suppliers Community.

- **IUA** - International Underwriting Association of London.

BRE - Building Research Establishment - This is the main test and certification organisation in the UK with respect to Security and Fire products and services.

Police – There are two main police force organisations in the UK. These are:

- **NPCC** - National Police Chiefs' Council aimed at cutting crime and keeping the public safe. Focussing on developing national approaches on issues such as finance, technology and human resources (formally called ACPO).
- **Police Scotland** (formerly called ACPOS).
- **College of Policing** is the professional body for policing, sponsored by the home office and operating in the public interest, working closely with police forces and other stakeholders to deliver savings and reduce crime, including national security, public safety and public order.

F&RS – Fire & Rescue Service - The main organisation the BSIA deals with in England and Wales in respect to fire issues is **NFCC** National Fire Chiefs Council who deal with matters relating to fire alarms and false alarm reduction measures.

SF&RS – Scottish Fire & Rescue Service - The main organisation the BSIA deals with in Scotland relating to fire alarms and false alarm reduction measures.

Certification Assessment Bodies (CABs)– There are two main CABs for the security industry in the UK having security in their scope for their UKAS accreditation, they are:

- **NSI** – National Security Inspectorate.
- **SSAIB** – Security Systems Alarm Inspection Board.

GOVERNMENT DEPARTMENTS AND REGULATORS (See Annex C)

BSIA lobbying in government - The BSIA works closely with the UK government to ensure that the views and concerns of its members are taken into account in the development of legislation, and in subsequent amendments and clarification. A busy programme of political engagement is at the heart of the BSIA's activities, and sees the BSIA organise regular contact meetings and Parliamentary roundtables, as well as attending the major political party conferences.

B&SCC – Biometric & Surveillance Camera Commissioner. This is a combined role covering VSS and Biometrics. The key role of the Commissioner is to encourage compliance with the surveillance camera code of practice. The SCC is responsible for:

- providing advice on the effective, appropriate, proportionate and transparent use of surveillance camera systems
- reviewing how the code is working and if necessary add others to the list of authorities who must have due regard to the code
- providing advice on operational and technical standards
- encouraging voluntary compliance with the code

BTP – **British Transport Police** – National police force for railways throughout England, Scotland and Wales.

CPS – **Crown Prosecution Service** is the principal prosecuting authority for England and Wales, acting independently in criminal cases investigated by the police and others. CPS deal with the prosecution of all cases investigated by the NCA, Independent Police Complaints Commission, UK Borders Agency, Defra, DWP, Department of Health and Her Majesty's Revenue & Customs and other bodies, as well as serious crime, terrorism, fraud and other challenging cases that require specialist experience.

DBT - **Department for Business & Trade** is responsible for economic growth. They support businesses to invest, grow and export, creating jobs and opportunities across the country.

DCMS – **Department for Culture Media and Sport** is responsible for supporting culture, arts, media, sport, tourism, and civil society across every part of England — recognising the UK's world-leading position in these areas and the importance of these sectors in contributing so much to our economy, way of life and our reputation around the world.

The department will champion sport for all at every level, support our world-leading cultural and creative industries and enhance the cohesiveness of our communities.

Defra - **Department for Environment, Food & Rural Affairs** are responsible for improving and protecting the environment. Its aim to grow a green economy and sustain thriving rural communities. They also support our world-leading food, farming, and fishing industries.

DESNZ - **Department for Energy Security and Net Zero** is responsible for Securing our long-term energy supply, bringing down bills and halving inflation.

DFT – **Department for Transport** – Government department working with other agencies and partners to support the transport network of the UK.

DLUHC - **Department for Levelling Up, Housing & Communities** are responsible for supporting communities across the UK to thrive, making them great places to live and work.

DSIT - **Department for Science, Innovation and Technology** are responsible for driving innovation that will deliver improved public services, create new better-paid jobs, and grow the economy.

DSTL – The **Defence, Science and Technology Laboratory** is the science inside UK defence and security.

DWP - Department for **W**ork and **P**ensions are responsible for welfare, pensions, and child maintenance policy. As the UK's biggest public service department, it administers the State Pension and a range of working age, disability and ill health benefits to around 20 million claimants and customers. BSIA works with the DWP primarily through its HR Forum.

EA - Environment **A**gency - The EA are responsible for all environment issues.

Forensic Science Regulator - The **F**orensic **S**cience **R**egulator (FSR) ensures that the provision of forensic science services across the criminal justice system is subject to an appropriate regime of scientific quality standards.

HMCTS - **H**M **C**ourts and **T**ribunals **S**ervice is an executive agency, sponsored by the MOJ and is responsible for the administration of the criminal, civil and family courts and tribunals in England and Wales and non-devolved tribunals in Scotland and Northern Ireland.

Home Office – The **H**ome **O**ffice holds the duty of the government to keep citizens safe and the country secure. The Home Office plays a fundamental role in the security and economic prosperity of the UK. It holds responsibility for policing in the UK, crime policy and counter-terrorism.

HSE - **H**ealth and **S**afety **E**xecutive. The HSE is the national independent watchdog for work-related health, safety, and illness.

ICO – **I**nformation **C**ommissioners **O**ffice The ICO is the UK's independent body set up to uphold information rights in the public interest. The ICO has an international role, working with organisations worldwide. They are responsible for:

- Register of data controllers
- Handling concerns
- Taking action on data protection
- Taking action on privacy and electronic communications regulations
- Taking action on freedom of information and environmental information

Investigatory Powers Commissioner - The **I**nvestigatory **P**owers **C**ommissioner (IPC) has responsibility for reviewing the use of investigatory powers by public authorities, such as intelligence agencies, police and local authorities.

LGA – **L**ocal **G**overnment **A**ssociation are a politically-led, cross-party organisation that works on behalf of councils to ensure local government has a strong, credible voice with national government. They aim to influence and set the political agenda on the issues that matter to councils so they are able to deliver local solutions to national problems.

MOD – **M**inistry of **D**efence works for a secure and prosperous United Kingdom with global reach and influence. They protect our people, territories, values and interests at home and overseas, through strong armed forces and in partnership with allies, to ensure our security, support our national interests and safeguard our prosperity.

MOJ – **M**inistry **O**f **J**ustice

MOJ work to protect the public and reduce reoffending, and to provide a more effective, transparent and responsive criminal justice system for victims and the public. MOJ are responsible for:

- courts
- prisons
- probation services
- attendance centres

NCA – **National Crime Agency** - The NCA covers serious and organised crime, border security, to fight fraud and cyber-crime.

Ofcom – Ofcom is the communications regulator in the UK and regulates TV & radio sectors, fixed line telecoms, mobile phones, postal services, plus the airwaves over which wireless devices operate. Although independent of Government, Ofcom has links to DCMS and to the DBT.

RISC – UK Security and Resilience Industry Suppliers Community –Support of the National Security Strategy and sub-strategies.

- An alliance of companies, trade associations and think-tank's.

NOTE: RISC should not be confused with RISC Authority, the insurance related body.

SIA - **Security Industry Authority** is the private security industry regulator in the UK. Their two main duties are:

- Compulsory licensing of individuals within the private security industry, covering security officer, door supervision, close protection, CVIT and public space surveillance, key holding and vehicle immobilising.
- Manage the voluntary Approved Contractor Scheme, this accreditation provides purchasers of private security services with independent proof of a contractor's commitment to quality.

NOTE: This should not be confused with SIA – [Security Industry Association](#) – that is an organisation in the USA representing the business interests of manufacturers, service providers and integrators of electronic physical security equipment.

OTHER BODIES

ASC – **Association of Security Consultants** –The ASC is the professional organisation for independent security consultants. The ASC also promotes networking between member consultants, end-users, the security industry, and government.

ATCM – **Association of Town & City Management** – ATCM are a not-for profit, mutual organisation, owned by its members, which focusses on the creation, development, and management of vibrant and viable town and city centres.

BRC – **British Retail Consortium** - Trade association for the UK retail industry

IP User Group International –International security technology forum representing the manufacturers, developers and integrators of security, BMS and IT Technology.

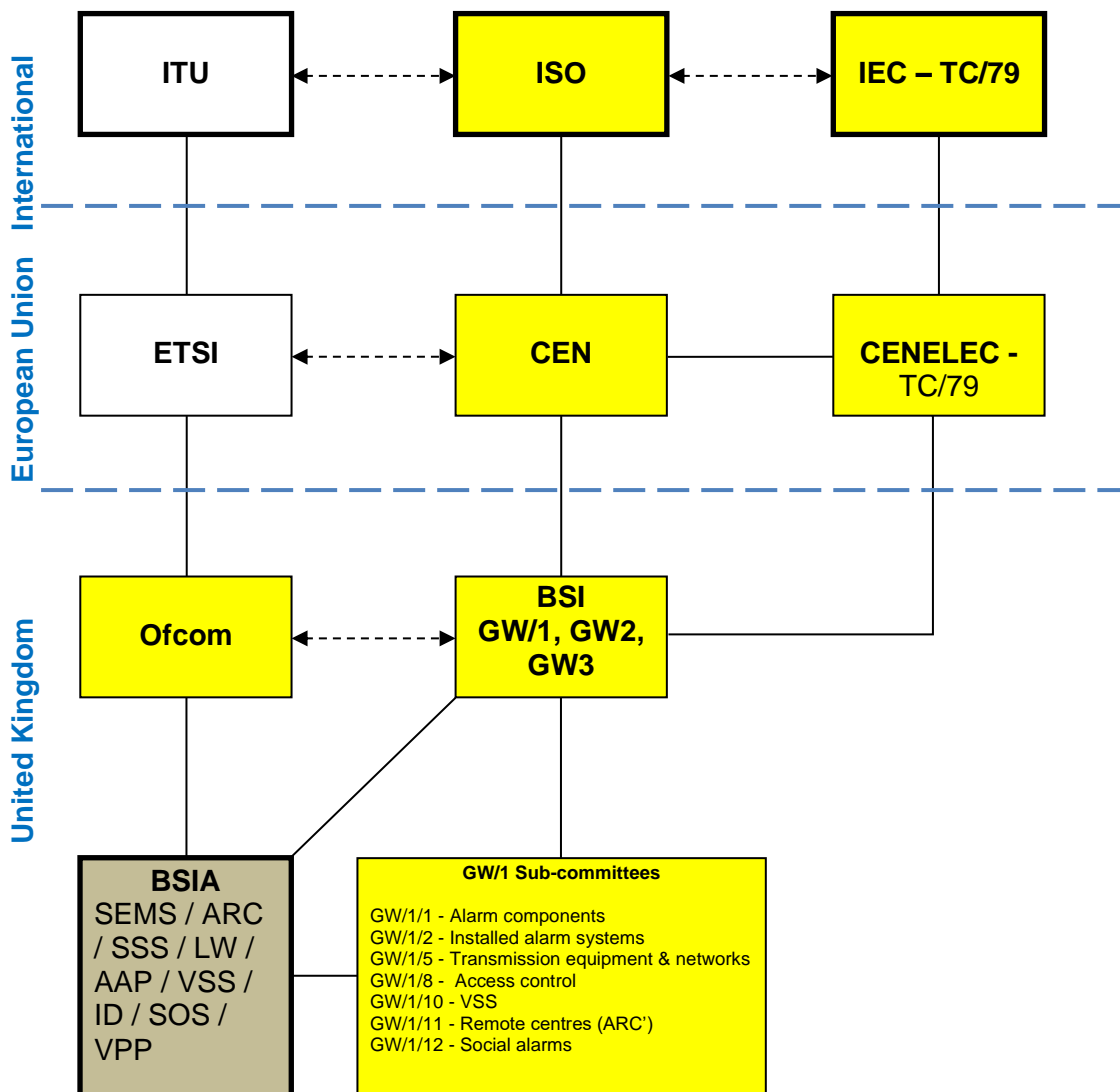
The Law Society Represents and supports solicitors, promoting the highest professional standards and the rule of law. The Law Society also lobbies the profession's regulators, government and others.

ANNEX A - Standards Organisations and Bodies

Below is a pictorial view of the relationships of the various standards bodies with each other. It should be noted ISO, IEC and ITU all have indirect communications with each other, as does ETSI, CEN and CENELEC.

Joint technical groups can be formed for specific purposes between different standards bodies (e.g. JTC1, a joint technical committee looking at information technology).

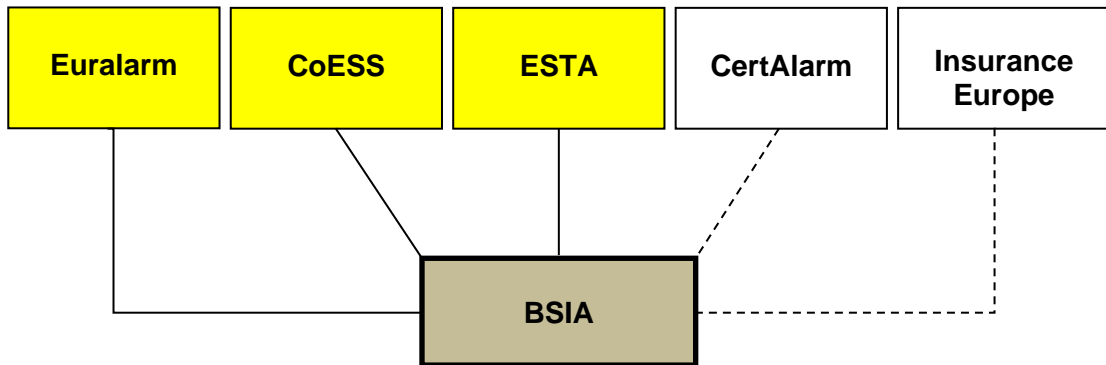
The organisations that the BSIA has a direct relationship with are shown in yellow, the BSIA has indirect relationships with the other organisations.



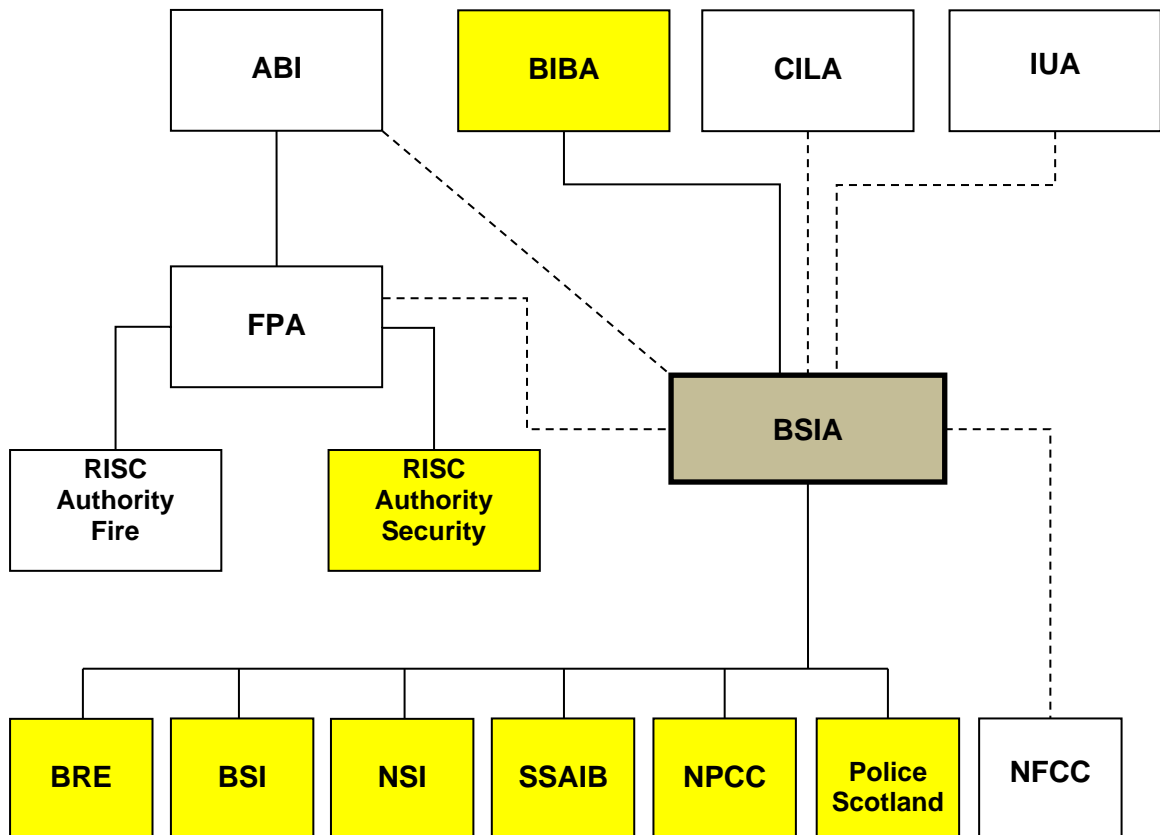
ANNEX B – Trade Associations and Other Organisations

European trade bodies and other key organisations

Below is a pictorial view of the relationships of the various trade associations and other organisations that the BSIA liaises with. The organisations that the BSIA has a direct involvement with are shown in yellow. The BSIA has indirect relationships with the other organisations.



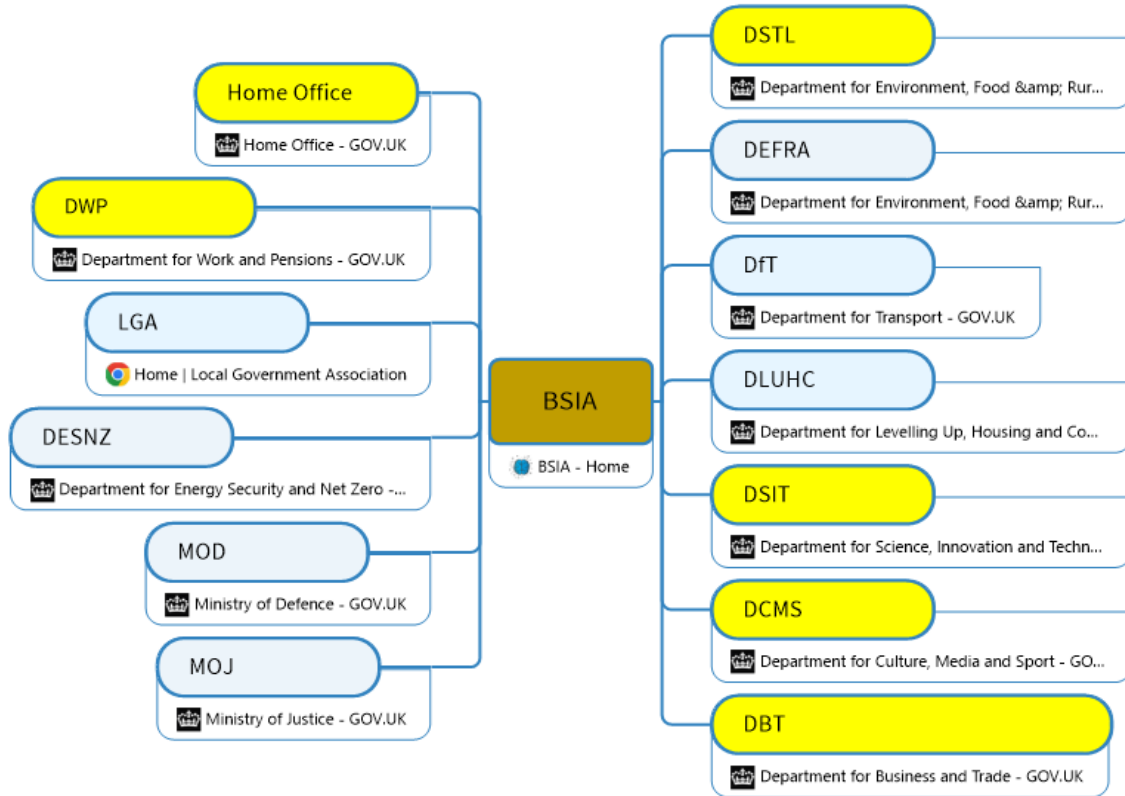
UK trade bodies and other key organisations

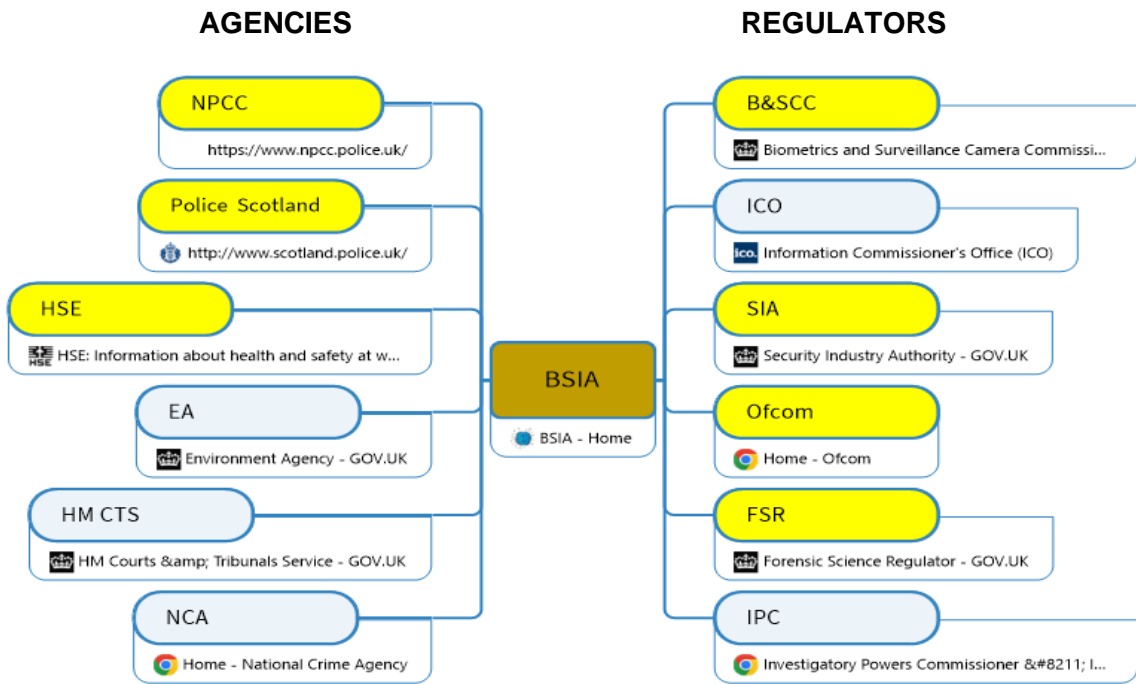


ANNEX C – UK government, agencies, and regulators

Below is a pictorial view of the relationship between various government departments and the BSIA. The organisations that the BSIA has direct involvement with are shown in yellow. The other government departments, the BSIA has an indirect relationship with.

UK GOVERNMENT DEPARTMENTS





PLEASE ADD NORMAL BACK PAGE CONTENT AS WELL AS THE FOLLOWING.

Our mission and vision

The BSIA is the voice of the professional security industry, supporting and encouraging excellence, educating the marketplace on the value of quality and professional security. Creating an environment in which to flourish.

BSIA Membership is the symbol of quality and professionalism in the security industry.